



**PARTS & SERVICE DEPARTMENT**  
Nashville, Tennessee  
877-554-5544 • Fax: 615-882-2918  
parts\_team@lochinvar.com  
www.Lochinvar.com

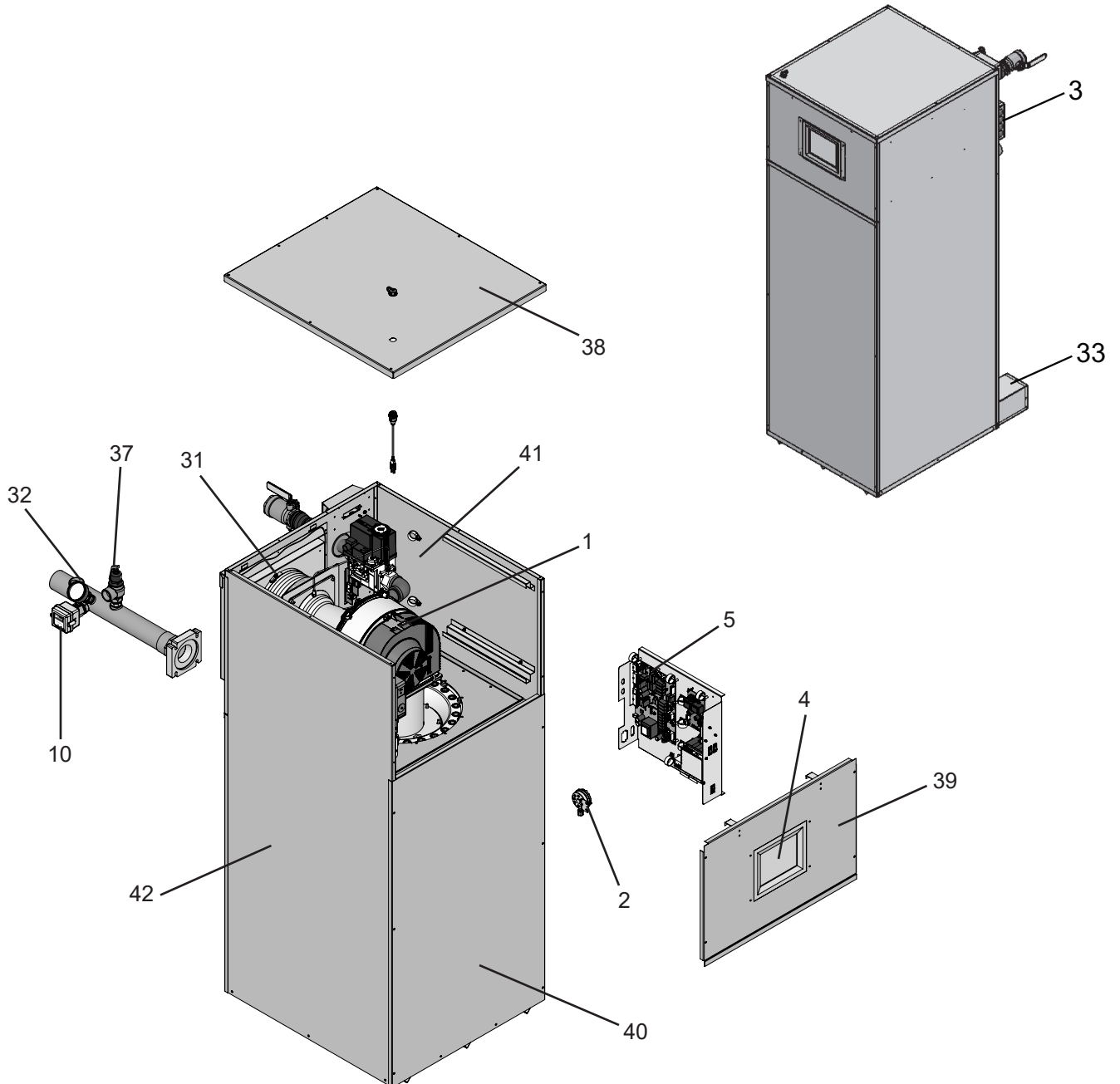
## Replacement Parts List

### Power-Fin®

Heating Boilers

PB/PF 1501, 1701, 2001

Beginning Serial Number: 1707104971206





| ITEM NO.                    | PART NO.          | DESCRIPTION                              | MODEL NO.          |
|-----------------------------|-------------------|--|--------------------|
| <b>CONTROLS</b>             |                   |  |                    |
| 1                           | 100145022         | FAN ASSEMBLY                             | PB/PF 1501-2001    |
| 2                           | <b>100208376*</b> | PRESSURE SWITCH, 0.12" WATER COLUMN      | PB/PF 1501-2001-M9 |
| 2                           | <b>100208380*</b> | PRESSURE SWITCH, 1.05" WATER COLUMN      | PB/PF 1501/2001-B9 |
| 2                           | <b>100288424*</b> | PRESSURE SWITCH, 1.20" WATER COLUMN      | PB/PF 1701-B9      |
| 3                           | 100274823         | LOW VOLTAGE CONNECTION BOARD             | ALL                |
| 3                           | 100208481         | LOW VOLTAGE CONNECTION BOARD             | ALL                |
| 4                           | <b>100311038*</b> | DISPLAY INTERFACE ASSEMBLY               | ALL                |
| -                           | 100311232         | GASKET, USER INTERFACE DISPLAY           | <b>ALL</b>         |
| 5                           | <b>100293702*</b> | MAIN CONTROL BOARD                       | ALL                |
| 6                           | 100208242         | ON / OFF SWITCH W/ I-O SYMBOL            | ALL                |
| 7                           | <b>100208174*</b> | HIGH LIMIT, MANUAL RESET                 | ALL PB             |
| 7                           | 100208179         | HIGH LIMIT W/ MANUAL RESET, 110-230 DEG. | ALL PF             |
| 8                           | 100208230         | TRANSFORMER, 24V, 40VA                   | ALL                |
| 9                           | <b>100208509*</b> | RELAY, 120VAC, 60HZ, 10.8 AMP            | ALL                |
| 10                          | <b>100208653*</b> | FLOW SWITCH W/ PADDLE, INDOOR            | ALL                |
| <b>GAS TRAIN ASSEMBLIES</b> |                   |  |                    |
| 11                          | 100135330         | MAIN BURNER ASSEMBLY                     | PF/PB 1501         |
| 11                          | 100135331         | MAIN BURNER ASSEMBLY                     | PF/PB 1701         |
| 11                          | 100135332         | MAIN BURNER ASSEMBLY                     | PF/PB 2001         |
| 12                          | 100208332         | SIGHT GLASS, BURNER                      | ALL                |
| 13                          | <b>100165937*</b> | IGNITOR, HOT SURFACE                     | ALL                |
| 14                          | 100208087         | GASKET, IGNITOR                          | ALL                |
| 15                          | <b>100208102*</b> | GASKET, FAN                              | ALL                |
| 16                          | <b>100208094*</b> | GASKET, BURNER                           | ALL                |
| 17                          | 100172024         | GAS VALVE ASSEMBLY, NATURAL              | PF/PB 1501         |
| 17                          | 100172025         | GAS VALVE ASSEMBLY, NATURAL              | PF/PB 1701         |
| 17                          | 100172026         | GAS VALVE ASSEMBLY, NATURAL              | PF/PB 2001         |
| 17                          | 100171939         | GAS VALVE ASSEMBLY, LP                   | PF/PB 1501         |
| 17                          | 100171940         | GAS VALVE ASSEMBLY, LP                   | PF/PB 1701         |
| 17                          | 100171941         | GAS VALVE ASSEMBLY, LP                   | PF/PB 2001         |
| 18                          | 100294592         | VENTURI ASSEMBLY                         | PF/PB 1501-1701    |
| 18                          | 100274223         | VENTURI ASSEMBLY                         | PF/PB 2001         |
| 19                          | <b>100233698*</b> | GASKET, FAN / VENTURI                    | ALL                |
| 20                          | <b>100208105*</b> | GASKET, FLANGE VENTURI                   | ALL                |
| 21                          | 100288549         | 1-1/2" GAS SHUT-OFF VALVE W/ TAP         | ALL                |
| 22                          | 100322624         | FLANGE, GAS VALVE, 1-1/4" NPT            | ALL                |
| <b>HEAT EXCHANGERS</b>      |                   |  |                    |
| 23                          | 100288575         | FLANGE, PRIMARY, HEAT EXCHANGER          | ALL                |
| 24                          | 100233672         | GASKET, TOP HEADER FLANGE                | ALL                |
| 25                          | 100147436         | HEAT EXCHANGER (HLW)                     | PF 1501            |
| 25                          | 100147437         | HEAT EXCHANGER (HLW)                     | PF 1701            |
| 25                          | 100147438         | HEAT EXCHANGER (HLW)                     | PF 2001            |
| 25                          | 100147439         | HEAT EXCHANGER (HLW), CUPRO              | PF 1501            |
| 25                          | 100147440         | HEAT EXCHANGER (HLW), CUPRO              | PF 1701            |
| 25                          | 100147441         | HEAT EXCHANGER (HLW), CUPRO              | PF 2001            |
| 25                          | 100147444         | HEAT EXCHANGER (H)                       | PB 1501            |
| 25                          | 100147445         | HEAT EXCHANGER (H)                       | PB 1701            |
| 25                          | 100147446         | HEAT EXCHANGER (H)                       | PB 2001            |
| 25                          | 100147447         | HEAT EXCHANGER (H), CUPRO                | PB 1501            |
| 25                          | 100147448         | HEAT EXCHANGER (H), CUPRO                | PB 1701            |
| 25                          | 100147449         | HEAT EXCHANGER (H), CUPRO                | PB 2001            |
| 26                          | 100141598         | DRAIN VALVE KIT                          | PB                 |
| 26                          | 100141604         | DRAIN VALVE KIT                          | PF                 |

PLEASE HAVE MODEL NUMBER AND SERIAL NUMBER WHEN ORDERING PARTS.  
\*ITEMS DENOTE SUGGESTED INVENTORY PARTS

| ITEM NO.   | PART NO.   | DESCRIPTION   | MODEL NO.  |
|--|------------|---|------------|
| <b>MISCELLANEOUS</b>   |            |   |            |
| 27   | 100233496* | HIGH LIMIT THERMOSTAT BULB WELL, 3/4 NPT                          | ALL        |
| 28   | 100233695* | HIGH LIMIT THERMOSTAT BULB WELL, 3/8 NPT                          | ALL        |
| 29   | 100290360  | V-BAFFLE (24)   | PF/PB 1501 |
| 29   | 100290391  | V-BAFFLE (24)   | PF/PB 1701 |
| 29   | 100290392  | V-BAFFLE (24)   | PF/PB 2001 |
| 30   | 100154193  | RETAINER, V-BAFFLE  | ALL        |
| 31   | 100208063* | FILTER - 16" X 16" X 1"   | ALL        |
| 32   | 100208152* | GAUGE TRIOMETER, 75 PSI   | ALL PB     |
| 33   | 100343868* | CONDENSATE TRAP   | ALL        |
| 34   | 100208552* | SENSOR, SYSTEM / INLET  | ALL        |
| 35   | 100208557  | OUTLET SENSOR   | ALL        |
| 36   | 100289373  | BRASS BUSHING, 3/4" X 3/8"  | ALL        |
| 37   | 100208448  | PRESSURE RELIEF VALVE, 1" X 1-1/4", 50 PSI                        | ALL PB     |
| 37   | 100208453  | T&P RELIEF VALVE, 1", 150 PSI                                     | ALL PF     |
| -  | 100208834  | KIT, OUTDOOR AIR RESET  | ALL        |
| -  | 100170647* | SENSOR, FLUE  | ALL        |
| -  | 100208336  | ALUMINUM TUBING (ORDER BY THE FOOT)                               | ALL        |
| -  | 100274791  | TUBING, EPDM 3/8" (ORDER BY THE FOOT)                             | ALL        |
| <b>PUMPS</b>   |            |   |            |
| -  | 100133622  | PUMP ASSEMBLY FOR WATER HEATER, STANDARD, 3/4 HP, 2-1/2" FLG, BRZ | ALL PF     |
| -  | 100287831  | PUMP ASSEMBLY FOR WATER HEATER, UPSIZED, 1-1/2 HP, 2" FLG, BRZ    | ALL PF     |
| -  | 100133623  | PUMP ASSEMBLY FOR BOILER, 3/4 HP, 2-1/2" FLG, BRZ (OPTIONAL)      | PB         |
| <b>JACKET/DOOR ASSEMBLIES</b>  |            |   |            |
| 38   | 100271847  | JACKET TOP  | ALL        |
| 39   | 100271809  | JACKET, OUTER FRONT UPPER   | ALL        |
| 40   | 100273345  | JACKET, OUTER FRONT LOWER   | PF/PB 1501 |
| 40   | 100273107  | JACKET, OUTER FRONT LOWER   | PF/PB 1701 |
| 40   | 100271810  | JACKET, OUTER FRONT LOWER   | PF/PB 2001 |
| 41   | 100273371  | JACKET, OUTER RIGHT   | PF/PB 1501 |
| 41   | 100273105  | JACKET, OUTER RIGHT   | PF/PB 1701 |
| 41   | 100271843  | JACKET, OUTER RIGHT   | PF/PB 2001 |
| 42   | 100273372  | JACKET, OUTER LEFT  | PF/PB 1501 |
| 42   | 100273109  | JACKET, OUTER LEFT  | PF/PB 1701 |
| 42   | 100271845  | JACKET, OUTER LEFT  | PF/PB 2001 |
| <b>INSULATION</b>  |            |   |            |
| -  | 100145460  | INSULATION, SIDES   | PF/PB 1501 |
| -  | 100145461  | INSULATION, SIDES   | PF/PB 1701 |
| -  | 100145462  | INSULATION, SIDES   | PF/PB 2001 |
| -  | 100145580  | INSULATION, BACK  | PF/PB 1501 |
| -  | 100145581  | INSULATION, BACK  | PF/PB 1701 |
| -  | 100145582  | INSULATION, BACK  | PF/PB 2001 |
| -  | 100145447  | INSULATION, FRONT   | PF/PB 1501 |
| -  | 100145448  | INSULATION, FRONT   | PF/PB 1701 |
| -  | 100145449  | INSULATION, FRONT   | PF/PB 2001 |
| -  | 100145450  | INSULATION, FRONT DOOR  | PF/PB 1501 |
| -  | 100145451  | INSULATION, FRONT DOOR  | PF/PB 1701 |
| -  | 100145452  | INSULATION, FRONT DOOR  | PF/PB 2001 |
| <b>PLEASE HAVE MODEL NUMBER AND SERIAL NUMBER WHEN ORDERING PARTS.<br/>*ITEMS DENOTE SUGGESTED INVENTORY PARTS</b> |            |   |            |